

Assignment: Blink a led

Goal

Check that your local environment is working properly.

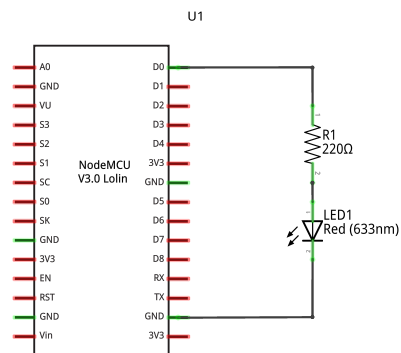
Configure the Arduino IDE

Under *Tools -> Board* make sure that “NodeMCU 1.0 (ESP-12E Module)” is available and selected.

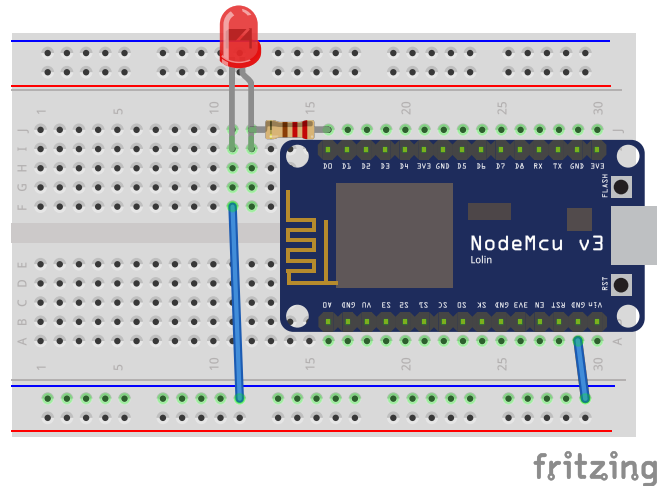
Create a new sketch with *File -> New* and compile it with *ctrl-R*.

Step 1

Wire up this schematic on the bread board:



fritzing



The colors on the wires used does not matter. The resistors orientation is not important, but the LED's orientation is important.

Step 2

Implement `setup()` and `loop()`. In `setup()` configure the LED pin and blink the LED in `loop()`.

Use these functions:

```
Serial.begin(115200);  
Serial.println(string);  
  
pinMode(pin, mode);  
digitalWrite(pin, state); // HIGH or LOW  
delay();
```

Tips

- It is useful to print a startup message just to see when the application has started.