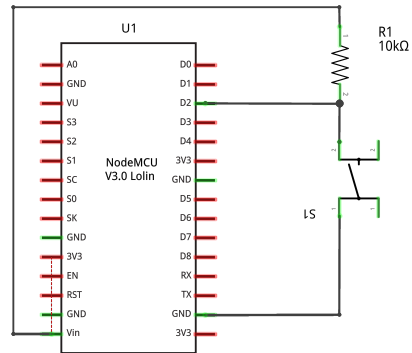


# Read a button

## Step 1

Wire up this schematic on the bread board:



fritzing

## Step 2

- Change sampling frequency