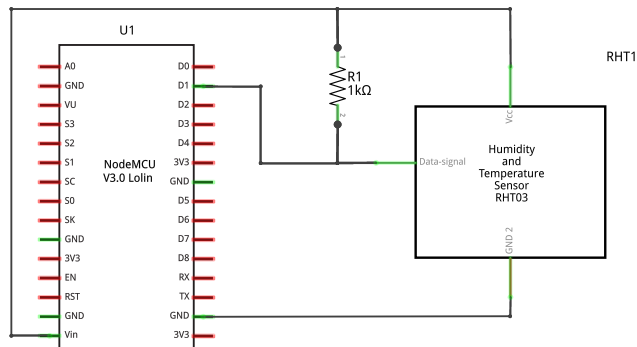


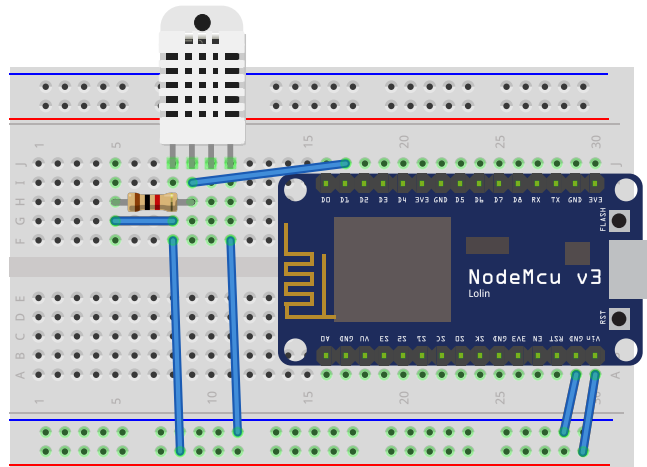
Read the temperature and humidity sensor DHT22

Step 1

Wire up this schematic on the bread board:



fritzing



fritzing

Step 2

- Change sampling frequency